

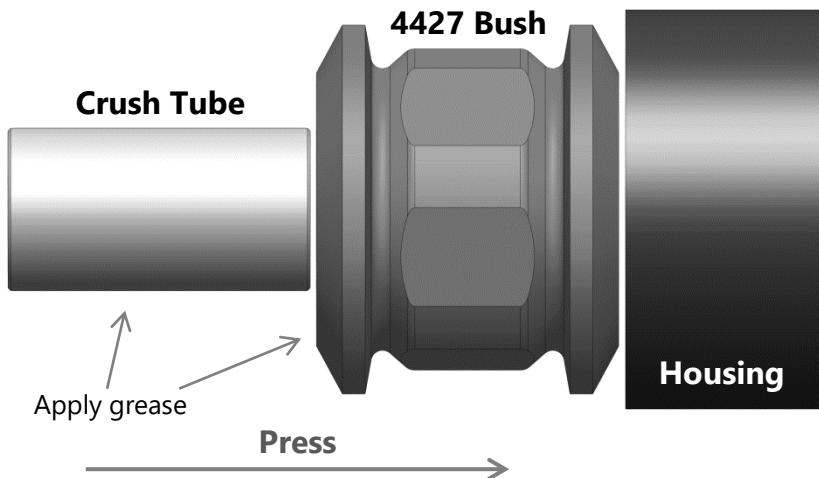
Fitting Instructions #Z7010

Jeep Grand Cherokee WH

Front Differential Mount Bushing

The picture can't be displayed.

- With the vehicle on jack stands/hoist, remove the differential;
- With the use of a hydraulic press and suitable pressing tool, remove the factory bushes including the steel shell;
- Clean housing areas to remove any old original bushing materials;
- Using the appropriate pressing tools support the control arm and press in the new bushes according to the orientation shown in figure below;
- Apply the grease supplied to the bore of the bush and the outside of the steel crush tubes;
- Refit the differential to the car and tighten the bolts;



Fitting Instructions #Z7010

Jeep Grand Cherokee WH

Front Differential Mount Bushing

The picture can't be displayed.

- With the vehicle on jack stands/hoist, remove the differential;
- With the use of a hydraulic press and suitable pressing tool, remove the factory bushes including the steel shell;
- Clean housing areas to remove any old original bushing materials;
- Using the appropriate pressing tools support the control arm and press in the new bushes according to the orientation shown in figure below;
- Apply the grease supplied to the bore of the bush and the outside of the steel crush tubes;
- Refit the differential to the car and tighten the bolts;

