

# Fitting Instructions #Z7005

## Jeep Grand Cherokee WJ & WG

### Front & Rear Trailing Arm Bushings

These kits require the original equipment steel shell to be re-used. Original equipment rubber bushing can be removed with the following procedure. If you do not have the necessary facilities or your local safety or Environmental Protection regulations prevent this, alternate kits including replacement shells are available, however the bushes are NOT interchangeable between kits.

**Note:** This procedure must be carried out in a well-ventilated area, complying with local safety & Environmental Protection regulations.

- o Following the manufacturer's instructions, remove the trailing arms from the vehicle;
- o Use an Oxy-acetylene torch to heat the inner tube to destroy the bond between steel and rubber, remove the inner tube. It is not necessary to generate enough heat to set fire to the rubber, however you will probably generate some smoke;
- o Repeat the procedure on the arm and outer shell to break the bond between the outer shell and the rubber, remove the rubber;
- o Clean the inside of the steel shell, removing any remaining rubber from inside the housing;
- o Using grease supplied, grease inside of housing, grease outside of bushing and install new bushing into the housing. Grease new steel tube and install in bushing.
- o Replace arms in the vehicle and wheel align.

**Note:** Tighten all fasteners to the manufacturer's specifications with vehicle at ride height.

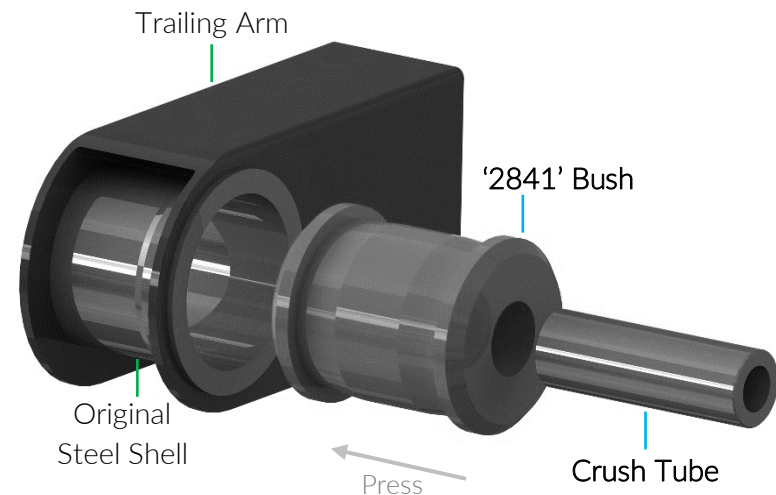


Figure 01 - New bushing installation