

Instructions

Front Control Arm Bushings

This instruction sheet should be used in conjunction with the workshop manual and proper safety procedures followed.

- Raise vehicle evenly and safely support.

Never rely on a Jack only

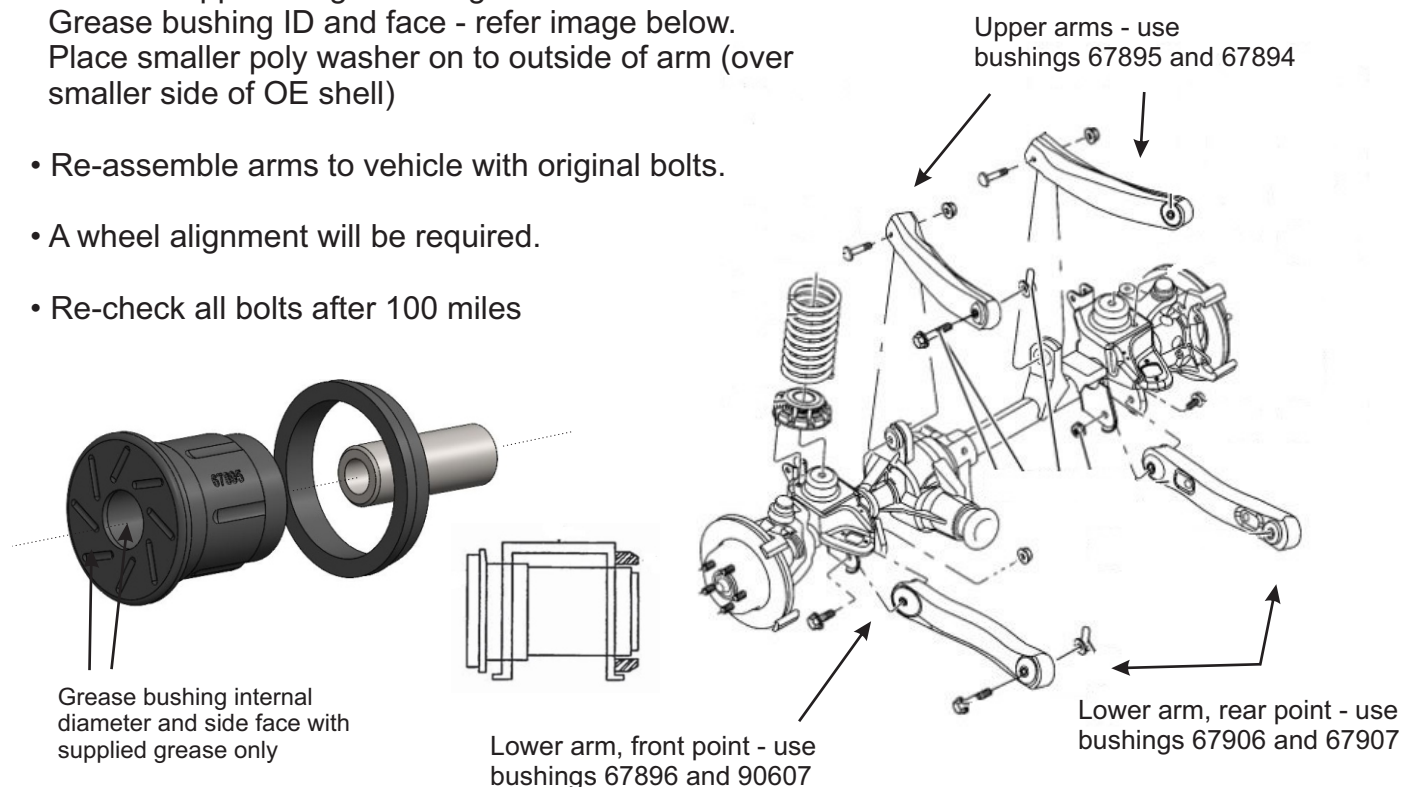
Important - remove and service only 1 arm at a time

Do not remove original steel outer shell.

- Using heat, heat up inner tube to break the bond. When hot, hit out old tubes.
- Use heat on outer shell to delaminate rubber. Then remove old rubber.
- Clean up original shells thoroughly - a wire bush can help.
- Push in supplied large bushing into clean OE shell. Grease bushing ID and face - refer image below. Place smaller poly washer on to outside of arm (over smaller side of OE shell)
- Re-assemble arms to vehicle with original bolts.
- A wheel alignment will be required.
- Re-check all bolts after 100 miles

Application - Jeep Grand Cherokee
- 1993-1998

Contents - Bushing 67894 x4
- Bushing 67895 x4
- Bushing 67896 x2
- Bushing 67906 x2
- Bushing 67907 x2
- Steel tube 22.2x14.3x67mm x2
- Steel tube 19x11.1x51mm x4
- Steel tube 22.2x12.2x72mm x2
- Grease



N.B: It is recommended that a licenced workshop or tradesperson carry out the above procedure and that workshop manual and relevant safety procedures are followed in addition to the above.