

Instructions

Steering Rack Bushings

N.B: This instruction sheet should be used in conjunction with the workshop manual and proper safety procedures followed.

- Raise vehicle evenly and safely support.

Never rely a Jack only.

**Original bushings can be lifted out with a chisel
But this is best performed after Rack removal.**

- Remove the rack from the vehicle - this is an extensive exercise and is best performed by a qualified repairer.
- Remove old bushings and clean the rack housing. Push in supplied bushings from either side.
- Push in supplied steel tubes.

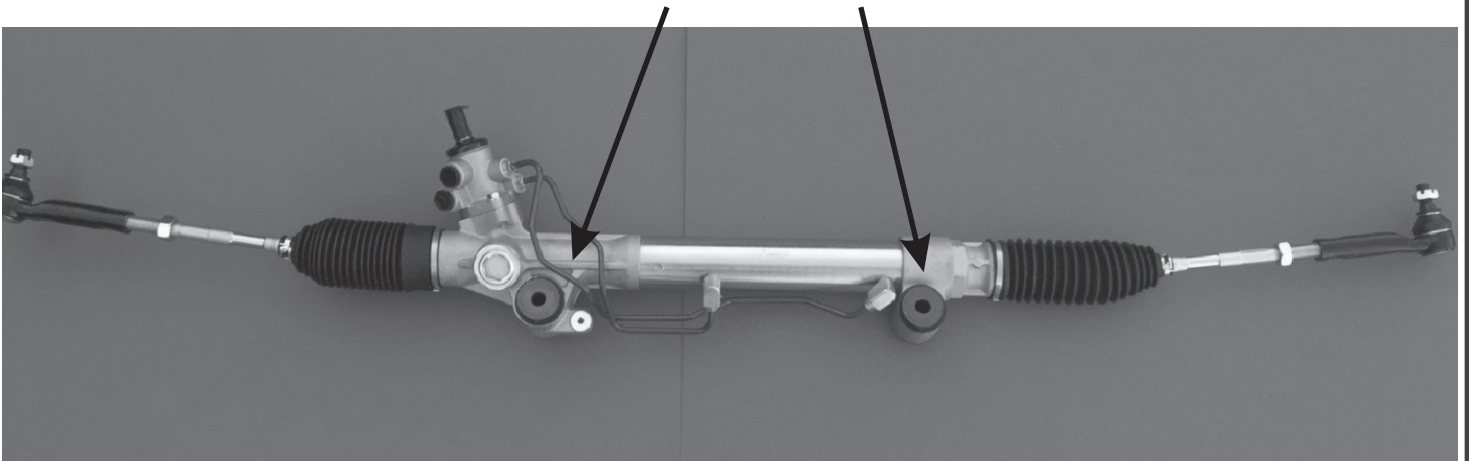
Note - the supplied washers to be placed against bushing face - to protect the bushing flange.

- Re-fit rack to vehicle. A wheel alignment is required post install.

Application - Toyota Prado 150
(Refer current catalogue listing)

Contents - 4x bushing 91262
- 2x steel tubes
- 4x steel washers

Original bushings can be lifted out after Rack removal
- careful not to damage aluminium housing



N.B: It is recommended that a licenced workshop or Tradesperson carry out the above procedure and that workshop manual and relevant safety procedures are followed in addition to the above.