

Instructions

Body Mount Bushings

N.B: This instruction sheet should be used in conjunction with the workshop manual and proper safety procedures followed.

Application - Chevrolet Chevelle

(Refer current catalogue for complete listing)

Contents - Bushing 90778 x 4
 Bushing 90779 x 6
 Bushing 90780 x 8
 Bushing 90781 x 8
 Bushing 90782 x 6

Note: Any rusted nuts or bolts will require lubricant prior to disassemble.

When removing each mount, be sure to note each location on vehicle. Also, any existing shims will need to be re-used in their respective point

Bolt mount positions on vehicle;



Position 1 is the front of vehicle - near radiator
 Position 6 is the rear most point

1. Loosen all bolts on both sides of vehicle initially.

Be careful of fan shroud and other components while lifting. A hydraulic jack and timber may be used to lift the body.

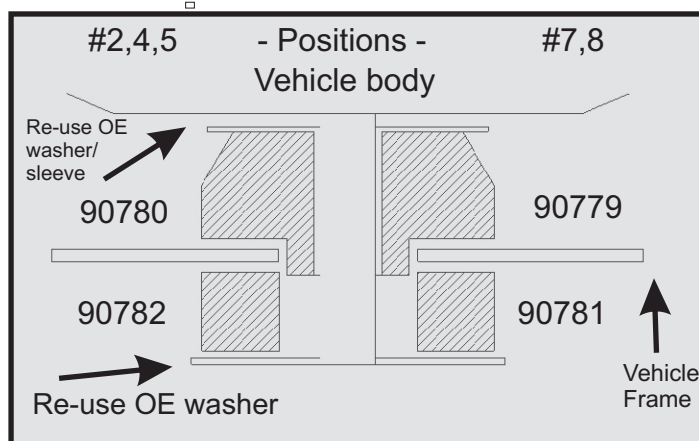
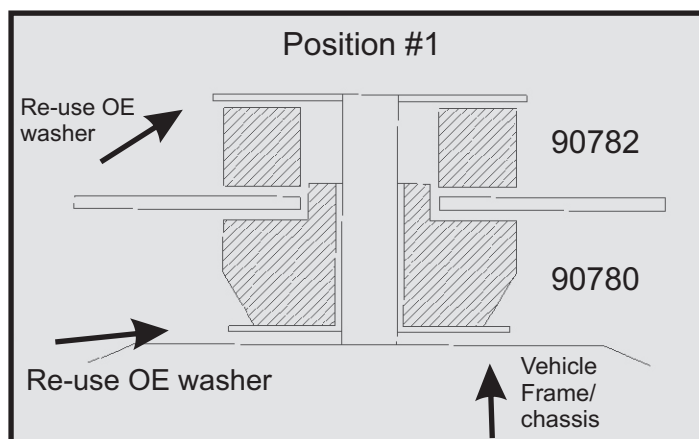
2. Proceed by replacing mounts from 1 side of vehicle at a time.

3. Replace 1 mount at a time, but do not tighten bolts yet - note diagram for bushing position.

Note - positions #3 and #6 are free standing

4. Once all mounts are replaced, confirm body is straight/aligned - tighten all nuts to Manufacturers specifications.

5. It is recommended all hardware is re-checked after 500kms/miles travelled.



N.B: It is recommended that a licenced workshop or tradesperson carry out the above procedure and that workshop manual and relevant safety procedures are followed in addition to the above.