

# Instructions

## Rear Leaf Spring Bushings

**Application:** Toyota Landcruiser – 76, 78 and 79 Series

**N.B:** This instruction sheet should be used in conjunction with the workshop manual and proper safety procedures followed.



1. Raise rear of vehicle evenly until wheels are off the ground - safely support.
2. Using a jack, support the Diff housing.
3. Un-bolt shackle and/or Eye nuts and bolts

**Note** - only replace 1 side at a time.

4. Remove/press out bushings. Make sure Eyes are clean from any dirt or debris.

**Note** - kits are supplied with optional steel tubes and steel washers.

### Front Eye and Rear Eye -

Confirm eye bolt/shackle OD.  
18mm OD - discard steel tubes  
Under 18mm OD - use steel tubes.

Confirm bushing flange thickness required.  
8mm - discard steel washers.  
10mm - use steel washers.

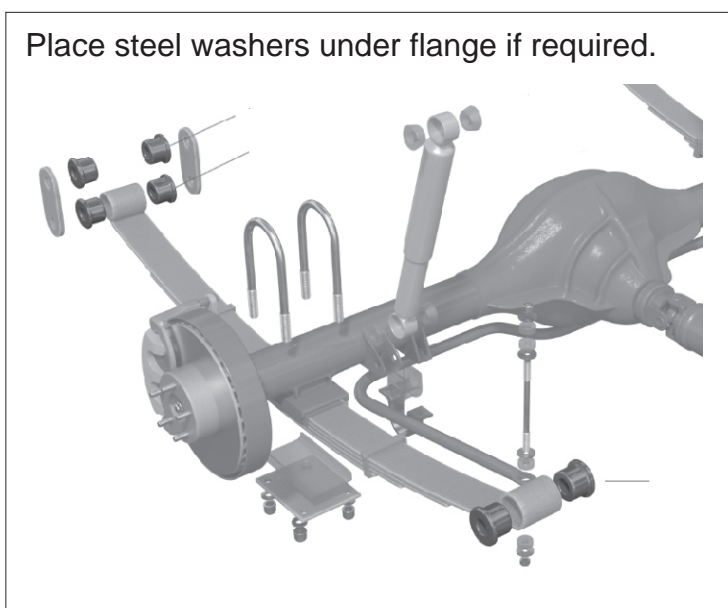
### Rear Shackle -

Confirm bushing flange thickness required.  
6.5mm - discard steel washers  
8.5mm - use steel washers

5. Lubricate bushing ID and flange faces. Tighten bolts to manufacturers specs.

6. Road test and re-check bolts after 100kms travelled.

Place steel washers under flange if required.



**N.B:** It is recommended that a licenced workshop or tradesperson carry out the above procedure and that workshop manual and relevant safety procedures are followed in addition to the above.