

Installation Guide Front Upper Control Arm

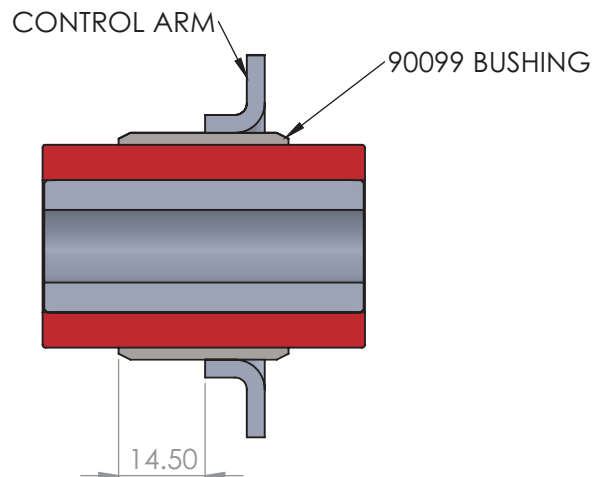
Suits: HONDA ACCORD 2003-2007

Z 5387

(Always refer to the current catalogue for complete application listings)

N.B: This installation guide should be used in conjunction with the workshop manual.

CROSS SECTION OF BUSHING INSTALLED INTO ARM



PRESS SUPPLIED BUSHING INTO
THE CONTROL ARM, LEAVING
14.5mm OF THE STEEL SHELL
PROTRUDING FROM THE
OUTER EDGE OF THE ARM

N.B: It is recommended that a licenced workshop or trades person carry out the above procedure and that workshop manual and relevant safety procedures are followed in addition to the above.

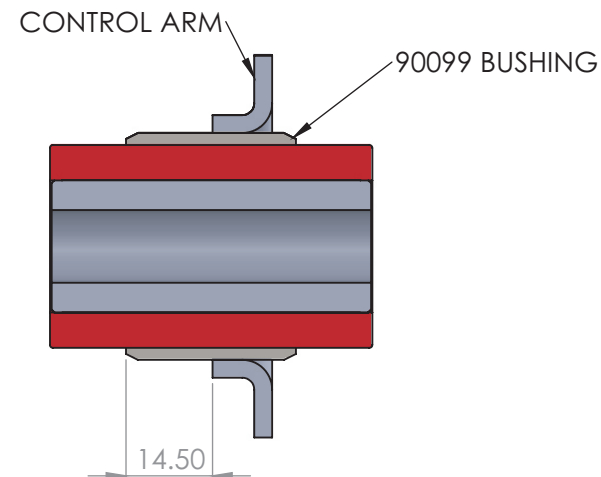
Installation Guide Front Upper Control Arm

Suits: HONDA ACCORD 2003-2007

Z 5387

(Always refer to the current catalogue for complete application listings)

CROSS SECTION OF BUSHING INSTALLED INTO ARM



PRESS SUPPLIED BUSHING INTO
THE CONTROL ARM, LEAVING
14.5mm OF THE STEEL SHELL
PROTRUDING FROM THE
OUTER EDGE OF THE ARM

N.B: It is recommended that a licenced workshop or trades person carry out the above procedure and that workshop manual and relevant safety procedures are followed in addition to the above.