

# Installation Guide

## Front Lower Control Arm - Inner - Offset

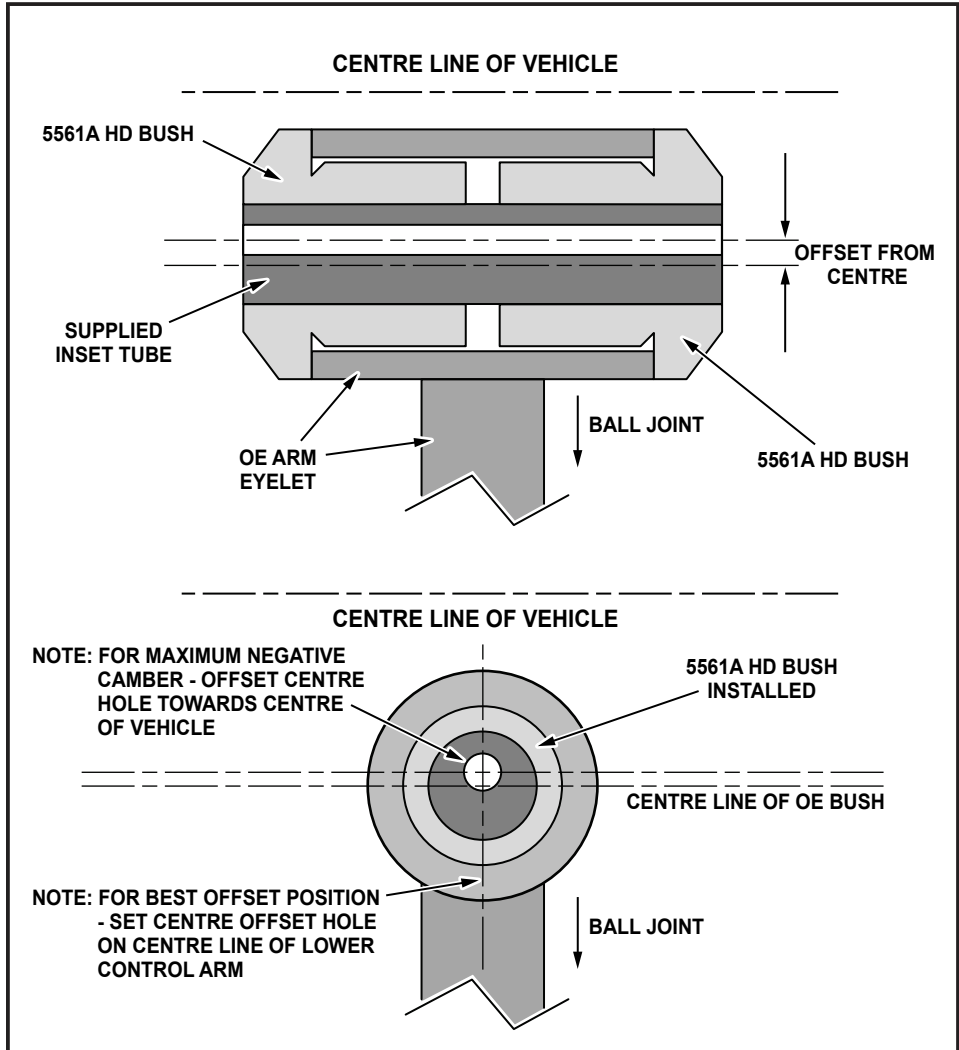
Z5094

Suits: Holden Commodore VE 8/06 - on  
Pontiac G8 8/06 - on

*(Always refer to the current catalogue for complete application listings)*

**N.B:** High Duro Parts may induce NVH in some applications

**N.B:** These instructions should be used in conjunction with the workshop manual.



**N.B:** It is recommended that a licenced workshop or trades person carry out the above procedure and that workshop manual and relevant safety procedures are followed in addition to the above.