

Installation Guide

Caster Lock Washer Set

Suits: VE Commodore, Pontiac G8

Z 5059

(Always refer to the current catalogue for complete application listings)

N.B: This installation guide should be used in conjunction with the workshop manual

1. Raise the front of the vehicle and place on chassis stands.
2. Remove the front wheels and front radius rod to chassis retaining bolt. (Refer to Fig. 2)
3. Remove OE wheel aligning shims and discard. (Refer to Fig. 2)
4. Fit supplied castor lock washers to both sides and refit OE bolt.

NOTE: if castor lock washer does not seat correctly (refer to fig.1) then please refer to step 4a below including Fig.3 and Fig.4

4a. Using suitable hand tools file the elongated chassis mounting point and /or the supplied washers as per Fig.3 and Fig.4 below.

5. Fit the supplied locking nut to the OE bolt and tension to manufacturers specifications.

6. Refit front wheels, lower vehicle and road test.

NOTE: It is recommended that a wheel alignment be completed at this point.

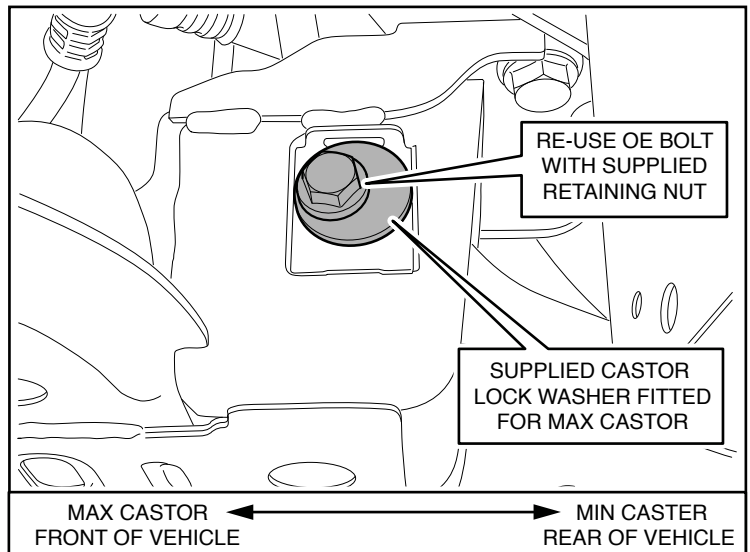


Fig.1

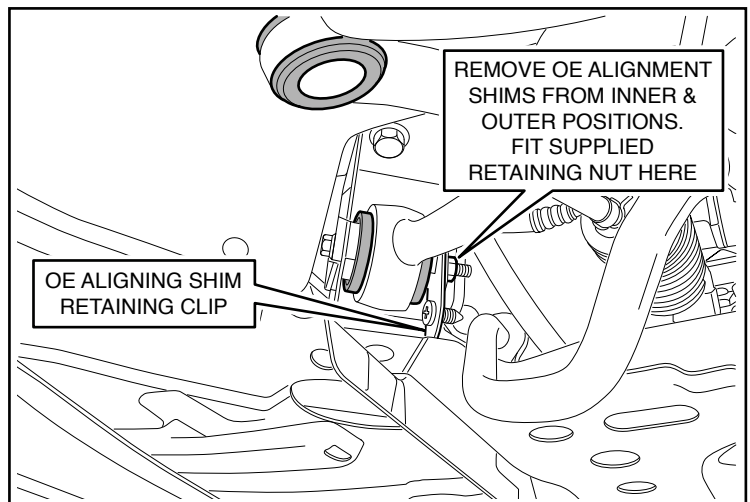


Fig.2

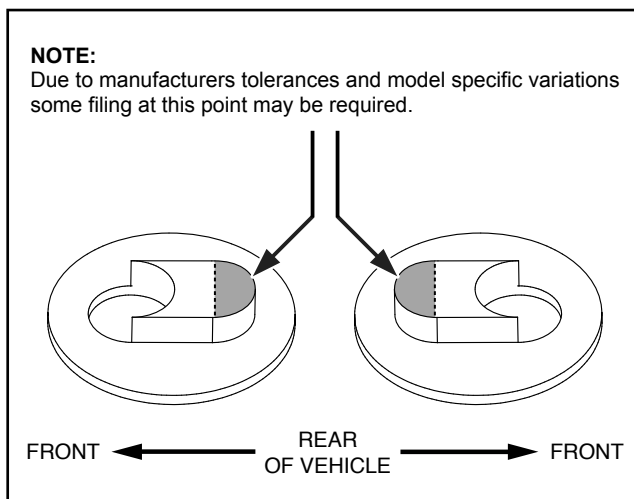


Fig.3

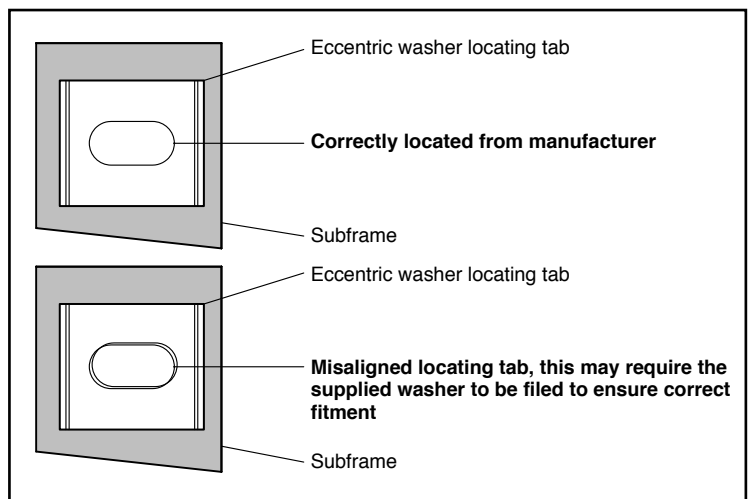


Fig.4

N.B: It is recommended that a licenced workshop or trades person carry out the above procedure and that workshop manual and relevant safety procedures are followed in addition to the above.