

# FITTING INSTRUCTIONS

## Lower Trailing Arm

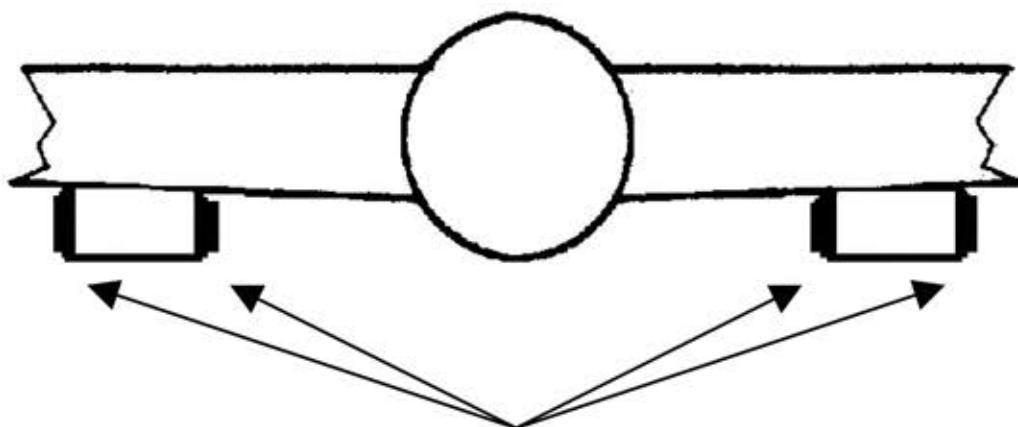
**N.B:** These instructions should be used in conjunction with workshop manual.

1. Raise the rear of the vehicle and support on chassis stands, remove the wheels from the vehicle.
2. Remove the lower trailing arms from the vehicle
3. Press old bushes out from the differential housing using specialised service tool or appropriate puller. **Note** The bushes must be drawn out in the direction as indicated by the arrows (outboard).
4. Install the new replacement bushes into the differential housing taking care to install the bushes in the correct direction (refer diagram below).

**N.B:** Take care when removing and installing these bushes as that they are tapered. Failure to do so will cause damage to the mounting brackets on the differential housing.

5. Lubricate internal bore and end faces of bushes with grease provided before reinstalling trailing arms to vehicle.

### Rear Differential Housing



**Replacement bushes should protrude equally from each end of the housing**

**Note: It is recommended that the above procedure is carried out by a license workshop or tradesperson.**