

# Nolathane® Update.

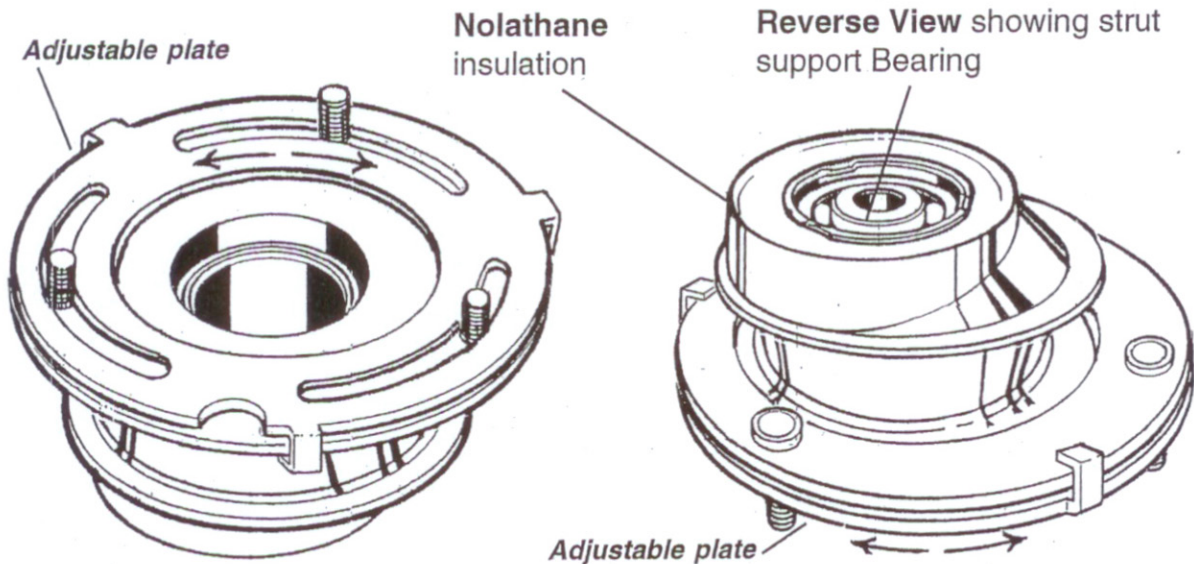
ADJUSTABLE

## BEARING PLATE to suit COMMODORE

Part No. 44000

suits

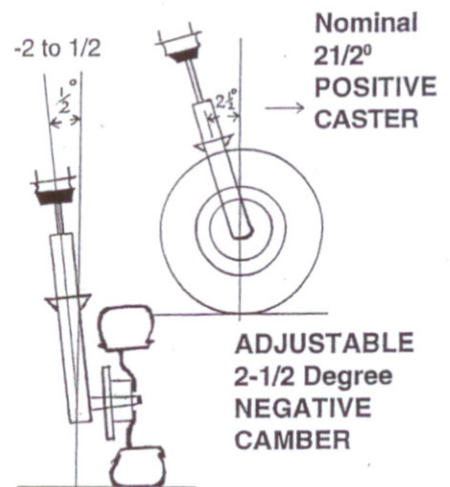
COMMODORE VB, VC, VH, VK, VL,  
VN >6/9/89 (excluding FE2 suspension)



### Features

The Nolathane **ADJUSTABLE** Bearing Plate increases steering response, improves ride quality and decreases tyre wear without affecting the steering effort. Allows camber adjustment from -2 to +1/2 degree whilst increasing caster to a nominal 2 1/2 degrees. The improved alignment settings enhance roadholding, steering response and tyre life whilst improving driver comfort & control by reducing high speed vibration being transferred to the steering wheel.

\* Supplied complete with adjuster tool. Kit contains 2 mounts per pack.



Nolathane products offer outstanding abrasion resistance; high load bearing capability, flexibility; increased tensile strength, chemical resistance to oil, grease, ozone and weathering

REDRANGER 2/4 Warringah Cl, Somersby NSW 2250

Phone: 1300 882 355 Fax: (02) 4340 2466

Email: [tech@redranger.com.au](mailto:tech@redranger.com.au)