

Oversize Bush Kit 45337

To suit FORD FALCON 1966-94

The Nolathane hotline has had numerous calls regarding lower control arm bushes for early model Falcon and Fairlane where the Nolathane kit listed for the application does not fit because the bush is 'too small'.

The cause in fact is the large number of imported arm assemblies sold under the trade numbers of '75RK' kits where the bush in those kits is of a larger diameter.

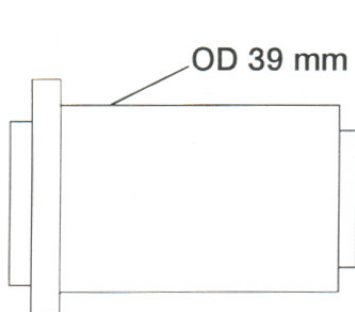
To overcome this problem, Nolathane is releasing this new kit which contains 39mm O.D. bushes instead of the original 37mm O.D. bushes.

This kit must only be used in non-genuine arms.

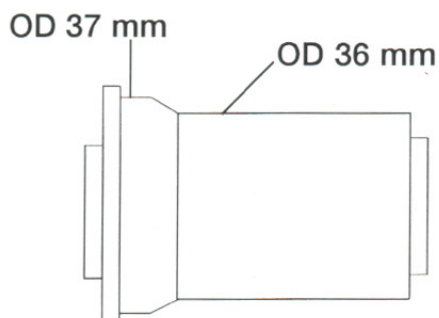
Make	Model		Year	Description	P/No
Ford	Falcon	XR-XG	9/66-94	Control arm-lower inner	45337
Ford	Fairlane	ZA-ZL	9/66-94	Control arm-lower inner	45337

Nolathane Kit 45337 contains two different sized crush tubes - 13.2mm and 14.3mm.

The small I.D crush tube (13.2mm) suits models up to May 1981.



Imported Arms: Nolathane Kit No. 45337



Original Arms: Nolathane Kit No. 45145

Advise your suspension specialists and Nolathane stockists NOW.

REDRANGER 2/4 Warringah Cl, Somersby NSW 2250

Phone: 1300 882 355 **Fax:** (02) 4340 2466

Email: tech@redranger.com.au

New Release