

Nolathane[®]

Update.

Bulletin No. 9410N1

NEW

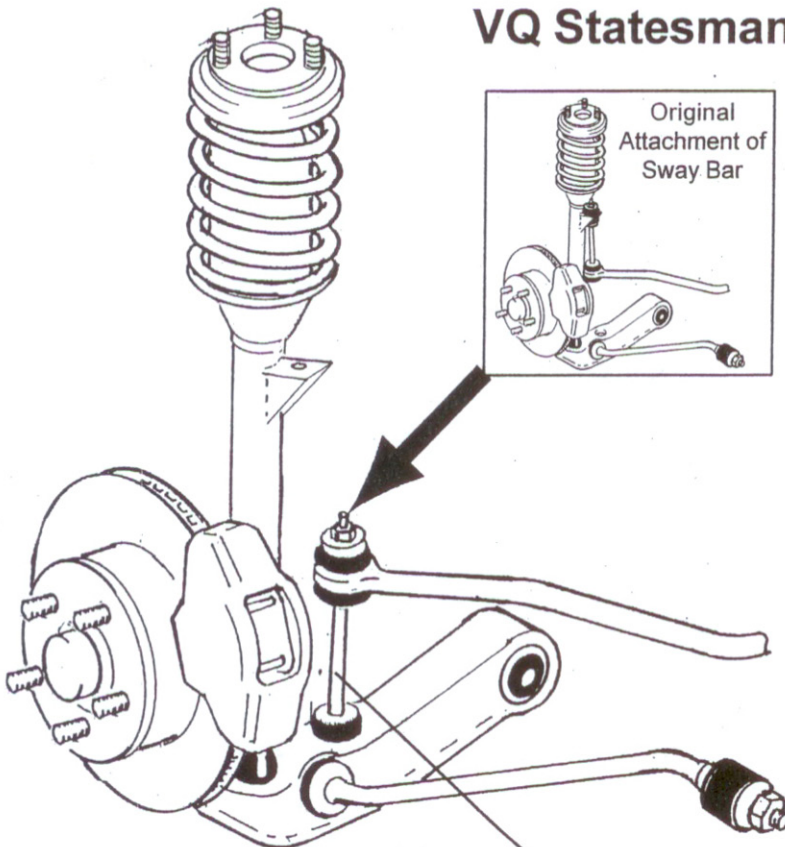
Sway Bar Link Modification Kit

to suit:

VN, VP, COMMODORE

VG Ute

VQ Statesman, Caprice



With 42170 Sway Bar
Mounting Kit Installed

The sway bar link on the above models is secured upwards to the Macpherson strut assembly. In severe service the support bracket can break causing an expensive strut replacement. The Nolathane link modification kit converts the mounting point down to the lower control arm where the sway bar was mounted on earlier models. Provision already exists on the lower control arm for the link to be mounted without drilling. This modification also helps reduce steering effort especially on bumps or under cornering load.

Part No. **42170**

Kit Contains:

- | | |
|------------------|-----|
| * Link Rods | x 2 |
| * Cupped Washers | x 8 |
| * Flanged Nuts | x 4 |
| * Nyloc Nuts | x 4 |
| * Link Bushes | x 8 |

