

Installation Guide

Front Upper Shock Mount Bushing

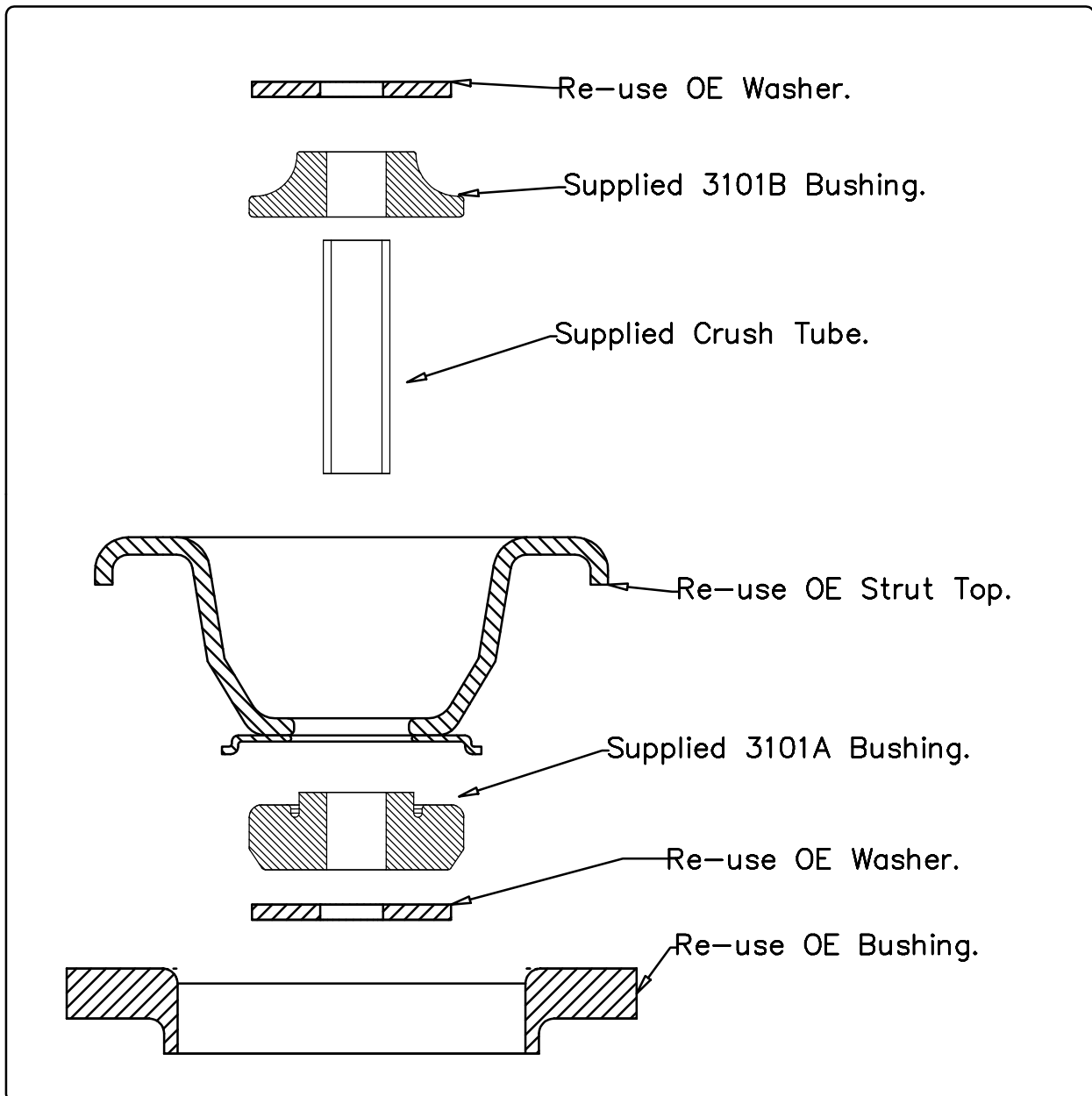
Suits : Mitsubishi Pajero NM – NW 5/00–on..

: Mitsubishi Montero NM – NW 5/00–on..

: Mitsubishi Shogun NM – NW 5/00–on..

(Always refer to the current catalogue for complete application listings).

N.B. This install guide should be used in conjunction with the workshop manual.



N.B. It is recommended that a licenced workshop or trades person carry out the above procedure and that workshop manual and relevant safety procedures are followed in addition to the above.